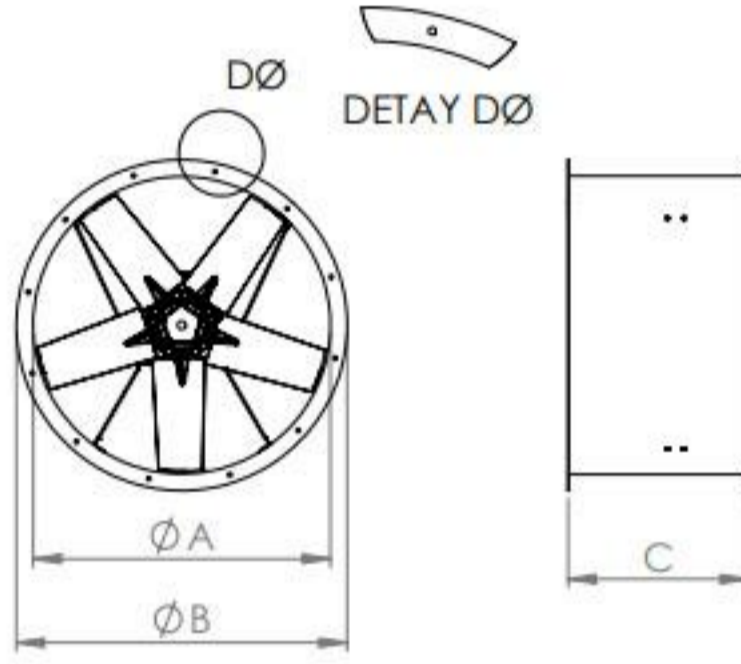


MODEL	VOLTAJ (V)	GUÇ (kW)	DEBİ (m³/h)	SES SEVİYESİ (dB(A))
TAXI 400-5-25	380	0,37	3.000	66
TAXI 450-5-25	380	0,55	4.400	69
TAXI 500-5-25	380	0,55	6.000	72
TAXI 560-5-25	380	0,75	8.200	75
TAXI 630-5-30	380	1,10	14.000	80
TAXI 710-5-30	380	1,50	20.000	83
TAXI 800-5-30	380	2,20	26.000	85
TAXI 800-5-35	380	3,00	32.000	89
TAXI 900-5-35	380	4,00	40.000	90
TAXI 900-5-40	380	5,50	48.000	93
TAXI 1000-5-40	380	7,50	56.000	94
TAXI 900-8-40	380	11,00	49.000	94
TAXI 1000-8-40	380	15,00	65.000	97
TAXI 1000-8-45	380	18,50	73.000	99
TAXI 1120-8-40	380	22,00	90.000	100
TAXI 1120-8-45	380	30,00	100.000	102

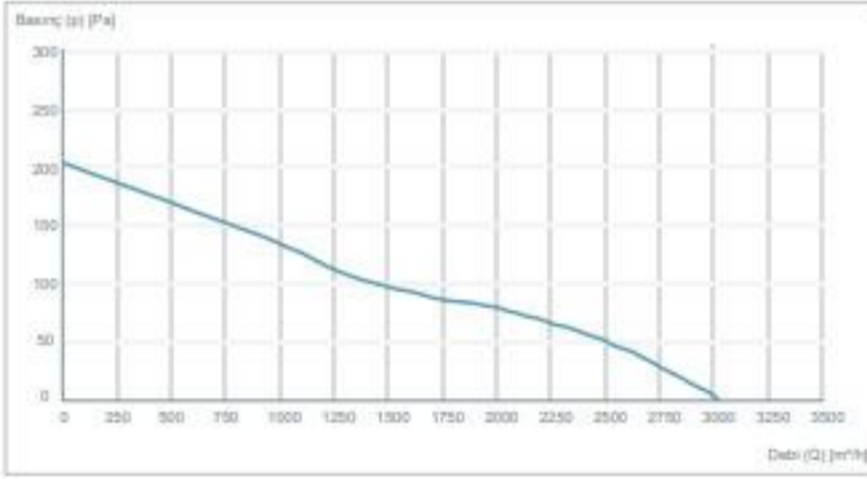
Değerler 0 Pa içindir

MODEL	A (mm)	B (mm)	C (mm)	D (mm)	N
TAXI 400	400	480	320	11	8
TAXI 450	450	530	320	11	8
TAXI 500	500	580	320	11	8
TAXI 560	560	640	320	11	12
TAXI 630	630	710	420	11	12
TAXI 710	710	790	420	11	12
TAXI 800	800	880	420	11	16
TAXI 900	900	980	520	11	16
TAXI 1000	1000	1080	520	11	16
TAXI 1120	1120	1200	520	11	16

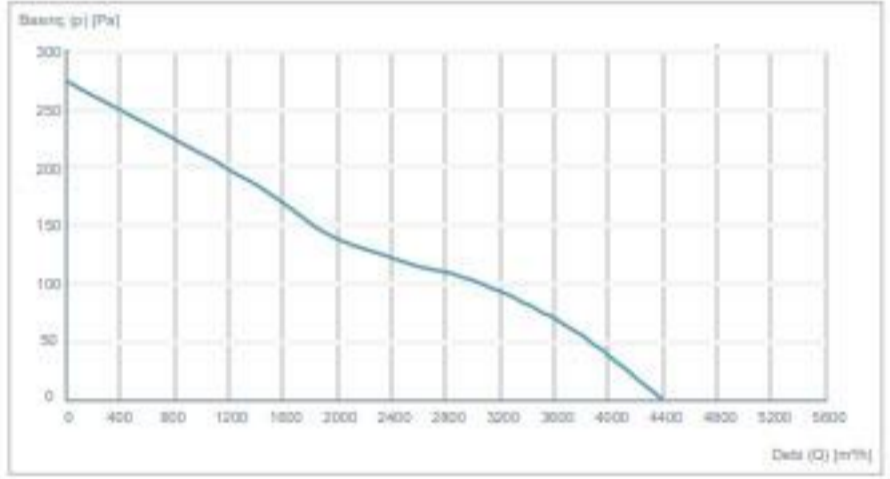


## TAXI FAN ÇALIŞMA EĞRİLERİ

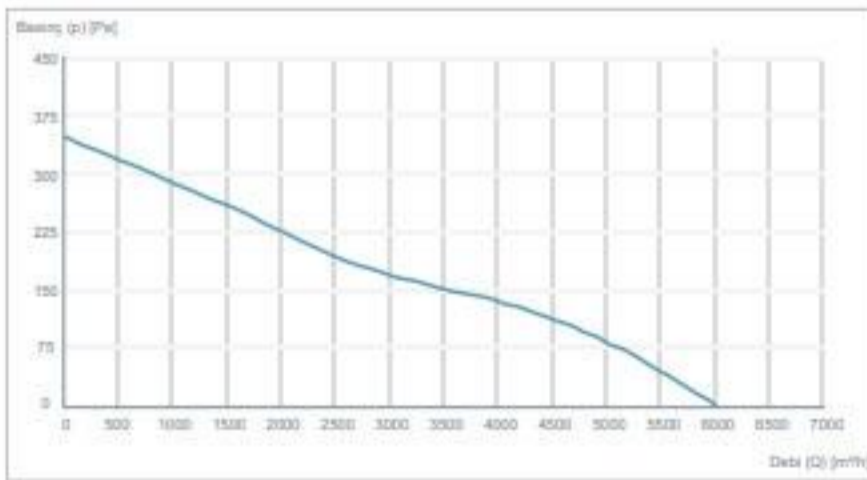
TAXI 400-5-25



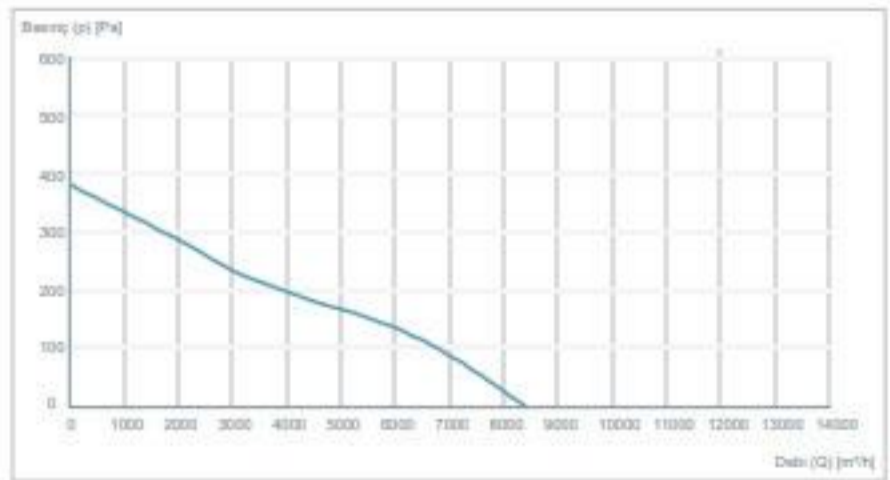
TAXI 450-5-25



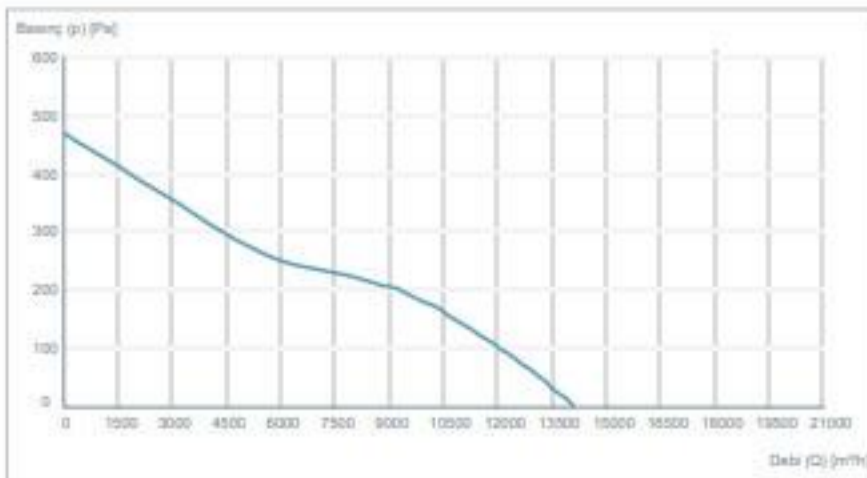
TAXI 500-5-25



TAXI 560-5-25



TAXI 630-5-30



TAXI 710-5-30

